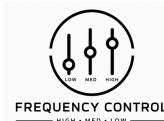
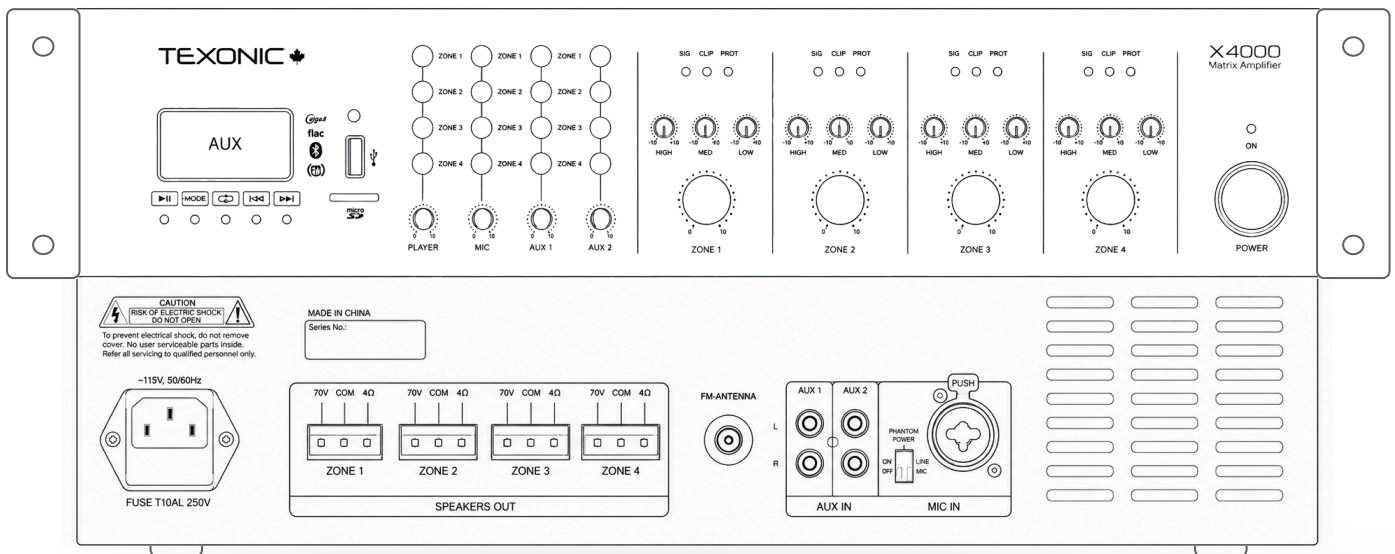


X4000

# 4 Zone Matrix Amplifier





---

## INTRODUCTION

The TEXONIC X4000 is a 2U rack-mount matrix amplifier designed for commercial audio systems. It provides four output zones with independent level, tone, and source routing for background music, paging, and multi-zone sound.

Each zone can be assigned to the built-in media player, microphone input, AUX 1, or AUX 2. The amplifier supports 70V distributed speaker lines and low-impedance speaker operation.

---

## KEY FEATURES

- 4-zone amplifier with 4 x 120 W rated output.
- 4 input / 4 output matrix selector for flexible source routing.
- Built-in Bluetooth, FM tuner, USB, and Micro SD media player. 70V constant-voltage output or 4-16 ohm low-impedance output.
- Per-zone HIGH, MID, LOW tone control and main volume control.
- Balanced XLR microphone/line input with phantom power switch.
- Standard 2U, 19-inch rack-mount chassis.

---

## WHAT IS INCLUDED

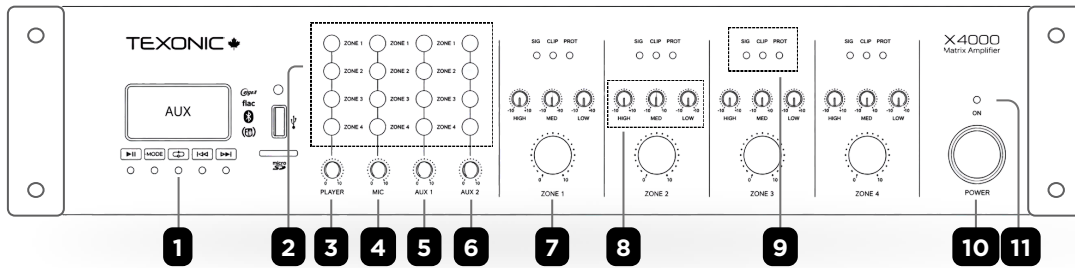
X4000 matrix amplifier    1 x Remote control    Rack-mount hardware    User manual    1 x AC power cable

---

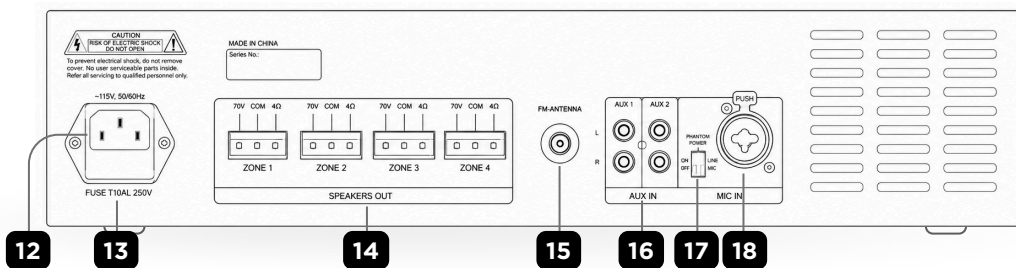
## TECHNICAL SPECIFICATIONS

<b>Rated Output Power</b>	4 × 120W
<b>Maximum Power</b>	4 × 200W
<b>Output Mode</b>	70V constant voltage / 4-16Ω low impedance
<b>70V Output Impedance</b>	40.8Ω
<b>Static Power Consumption</b>	25W
<b>Power Requirements</b>	115V, 50/60Hz
<b>Frequency Response</b>	80Hz - 18kHz (±3 dB)
<b>Total Harmonic Distortion (THD)</b>	< 0.3% @ 1kHz (1/3 rated power)
<b>Signal-to-Noise Ratio</b>	MIC: ≥66 dB (A-weighted)AUX: ≥80 dB (A-weighted)
<b>MIC Input Sensitivity</b>	12 mV (±0.5 dB)
<b>AUX Input Sensitivity</b>	250 mV (±0.5 dB)
<b>High</b>	±9 dB @ 10kHz (±1.5 dB)
<b>Mid</b>	±9 dB @ 1kHz (±1.5 dB)
<b>Low</b>	±9 dB @ 100Hz (±1.5 dB)
<b>Product Dimensions (W × D × H)</b>	16.9" × 13.8" × 3.5" (43cm x 35cm x 8.8cm)
<b>Net Weight</b>	27.6lbs (12.5 kg)

## FRONT & REAR PANEL CONNECTIONS



Front Panel			
1	Media player - Bluetooth, FM tuner, USB port & Micro SD.	2	4 input / 4 output matrix selector - routes source inputs to zones.
3	PLAYER level - adjusts media player level to the zones.	4	MIC level - adjusts microphone level to the zones.
5	AUX 1 level - adjusts AUX 1 / LINE 1 input level.	6	AUX 2 level - adjusts AUX 2 / LINE 2 input level.
7	Zone volume - main output volume for all Zones	8	Tone controls - HIGH, MID, and LOW adjustment for each zone.
9	Zone indicators - SIG, CLIP, and PROT status for all Zones		
10	Power switch - turns the amplifier on or off.	11	Power indicator - shows the amplifier power status.

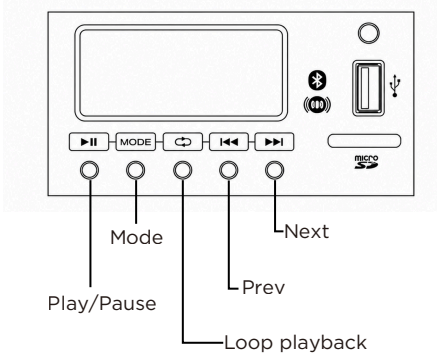


Rear Panel			
12	AC power input socket.	13	Fuse holder. Replace only with the same fuse type and rating.
14	Speaker outputs for all Zones. Use 70V or low-impedance output as required.	15	FM antenna connector.
16	RCA AUX 1 and AUX 2 line inputs for external audio sources.	17	MIC/LINE sensitivity selector and 48 V phantom power switch.
18	Microphone / line-level XLR input.		

### Indicator Guide

SIG flashes when audio signal is present. CLIP shows the signal is too high; reduce volume or input level. PROT lights during start-up and may stay on if the amplifier enters protection mode.

## MEDIA PLAYER AND REMOTE FUNCTIONS



**PLAY/PAUSE ▶||**  
Play and pause media.

Mode Selection:

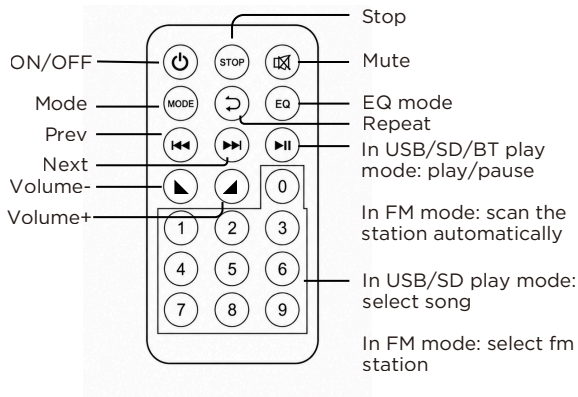
Press the **MODE** button to switch between different playback options: Bluetooth, FM Radio, and AUX. You can also play media files directly from a USB drive or Micro SD card.

Continuous Playback: ↺

Plays MP3 audio files continuously on repeat without interruption.

**PREVIOUS/NEXT, SELECT or VOLUME ◀▶**

Press once to skip to the previous or next track. Press and hold to decrease or increase the volume.



**MODE:** Select Bluetooth, FM, AUX, USB, or Micro SD

**PLAY/PAUSE:** Play or pause media; scan FM stations

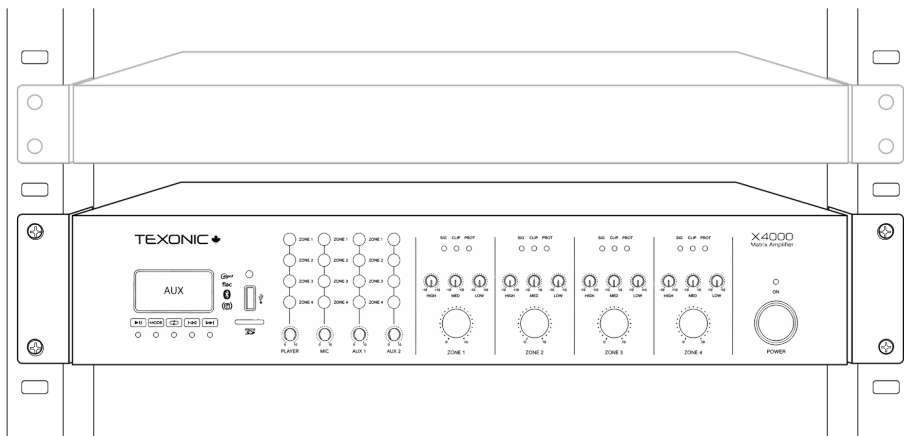
**PREV/NEXT:** Skip track or select FM station

**VOLUME +/-** Adjust media player level

**REPEAT:** Continuous playback from USB or Micro SD

## MOUNTING IN STANDARD RACK

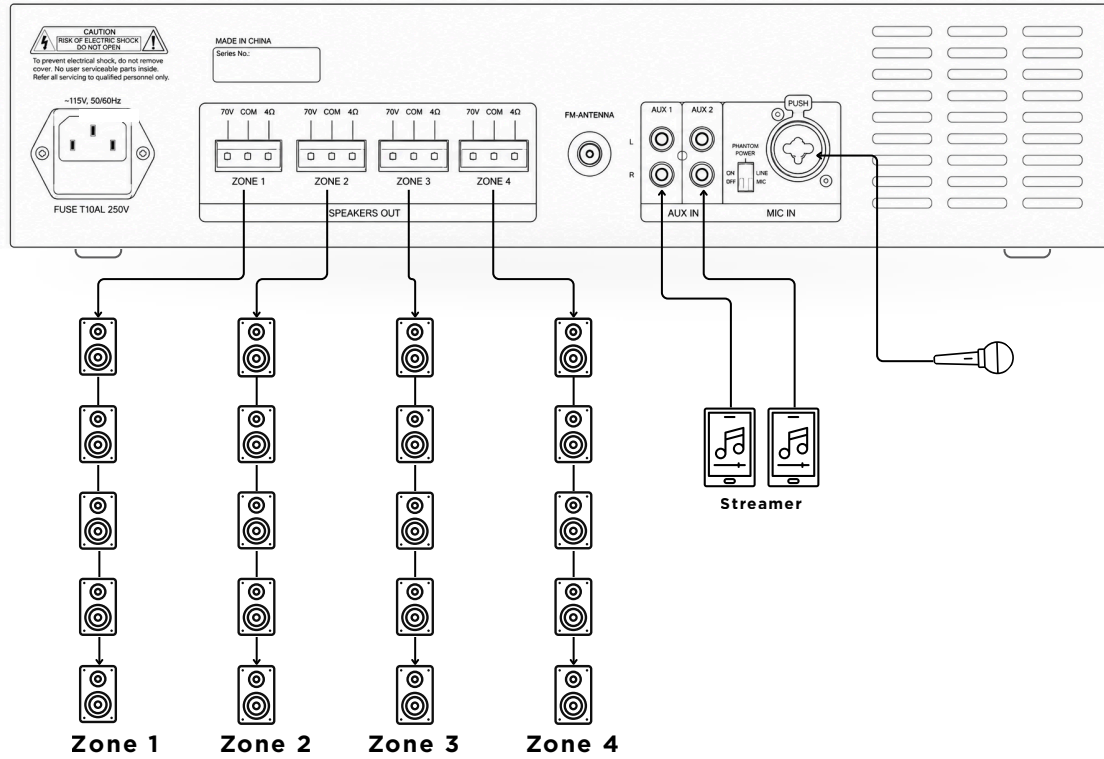
The X4000 features a standard 2U form factor, making it easy to install in an equipment rack. To mount it in a standard rack, attach the included rack-mount brackets to each side of the unit, align them with the screw holes, and tighten the screws securely.



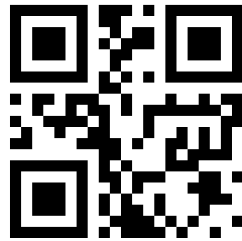
Rear-side screw holes allow the amplifier to be mounted securely to the rack, providing improved stability.

## ZONE CONNECTION

Connect speakers to the correct zone outputs and keep wiring polarity consistent. You can play the same audio source in all four zones at the same time, or assign Media Player, LINE 1, or LINE 2 to each zone independently.







**Copyright 2026 by TEXONIC. All Rights Reserved.**

TEXONIC reserves the right to make changes to specifications and/or product design without prior notice. Diagrams are for illustration purposes and may not fully represent the product you have.